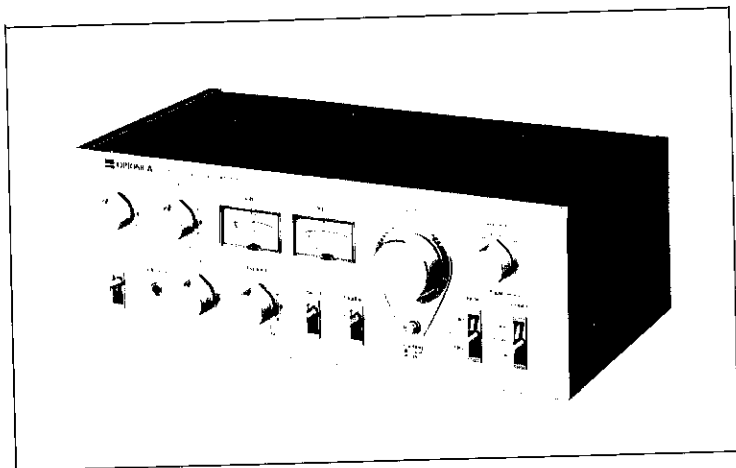




# OPTONICA

# SERVICE MANUAL

SM-1515H



## MODEL SM-1515H

In the interests of user-safety the set should be restored to its original condition and only parts identical to those specified be used.

### SPECIFICATIONS

#### GENERAL DESCRIPTION

Power source: AC 110/220/240V, 50/60Hz  
 Power consumption: 270 W  
 Semiconductors: 2-IC (Integrated circuit)  
 24-Transistor  
 2-FET  
 17-Diode

Dimensions: Width: 408 mm (16-1/16")  
 Height: 144 mm (5-11/16")  
 Depth: 253 mm (9-31/32")

Weight: 7.5 kg (16.5 lbs.)

#### MAIN AMPLIFIER

Circuit: Differential amplifier, complimentary system, OCL (Output Capacitor-Less)

Continuous power output:  
 2 x 45W/4 ohms,  
 Both channels driven  
 at 1 kHz, 0.2% distortion  
 2 x 40W/8 ohms,  
 Both channels driven  
 at 1 kHz, 0.3% distortion

Intermodulation distortion:  
 0.05% at 20 W

Damping factor: more than 40  
 (at 1 kHz, 8 ohms)

Power bandwidth: 20 Hz ~ 30 kHz

Frequency response: 15 Hz ~ 60 kHz  $\begin{matrix} +1\text{dB} \\ -3\text{dB} \end{matrix}$

#### PRE-AMPLIFIER

Circuit: Direct coupled equalizer circuit, 'NF' type tone control

Input sensitivity and input impedance:  
 PHONO: 2.5 mV/50k ohms  
 AUX: 150 mV/50k ohms  
 TUNER: 150 mV/50k ohms  
 TAPE PB 1 and 2: 150 mV/50k ohms  
 TAPE PB  
 (DIN socket): 150 mV/50k ohms

Output level and loaded impedance:  
 REC 1 and 2: 150 mV/50k ohms  
 REC (DIN socket): 30 mV/80k ohms

Phono overload: 220 mV  
 (RMS, 1 kHz, 0.1% THD)

RIAA curve deviation:  $\pm 0.4$  dB

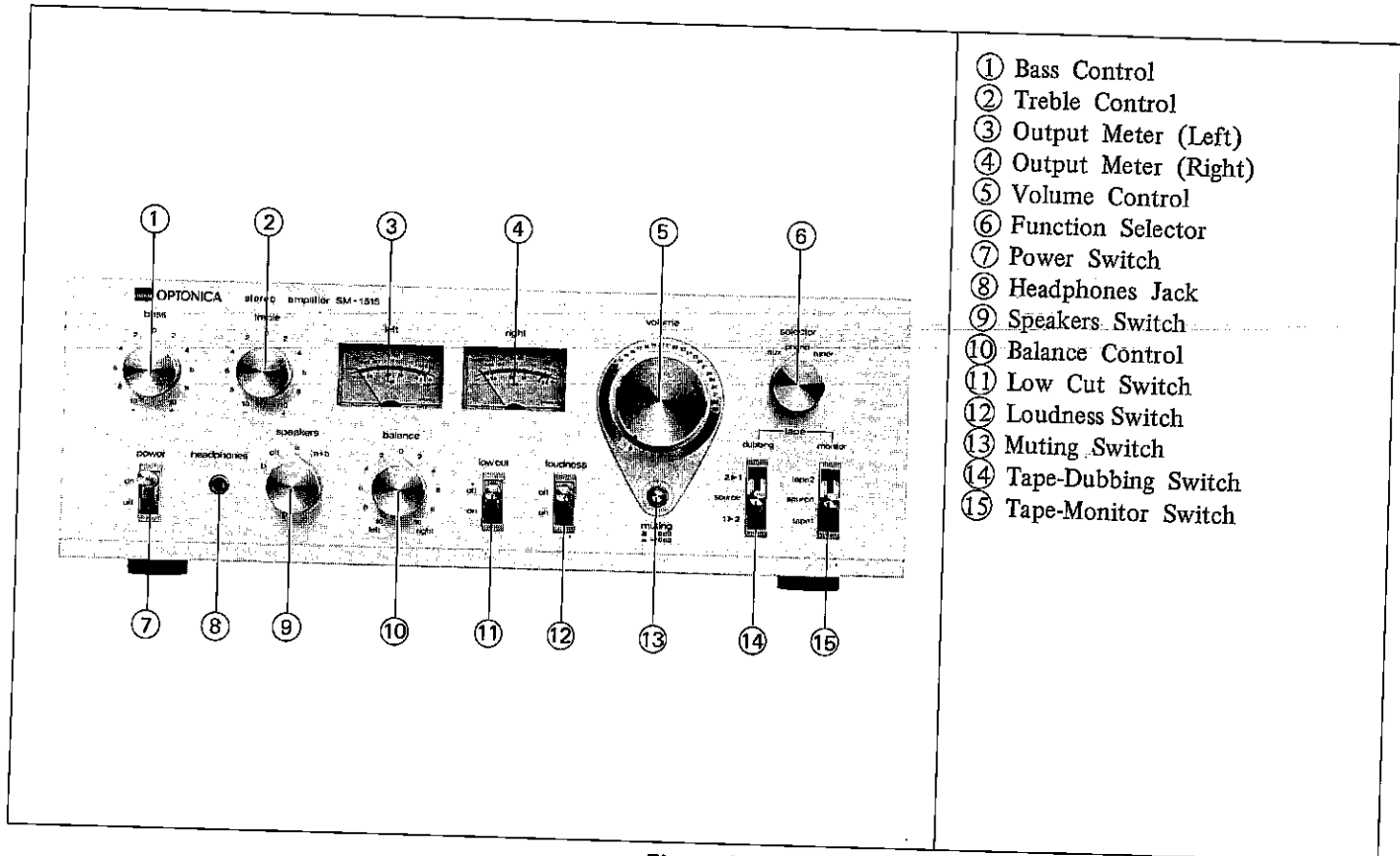
Frequency response: 15 Hz ~ 60 kHz  $\begin{matrix} +1\text{ dB} \\ -3\text{ dB} \end{matrix}$   
 (TAPE, AUX, TAPE PB)

Tone control:  
 Bass:  $\pm 9$  dB at 100 Hz  
 Treble:  $\pm 9$  dB at 10 kHz

Low cut filter:  $-3$  dB at 30 Hz, 6 dB/oct

# SHARP CORPORATION OSAKA, JAPAN

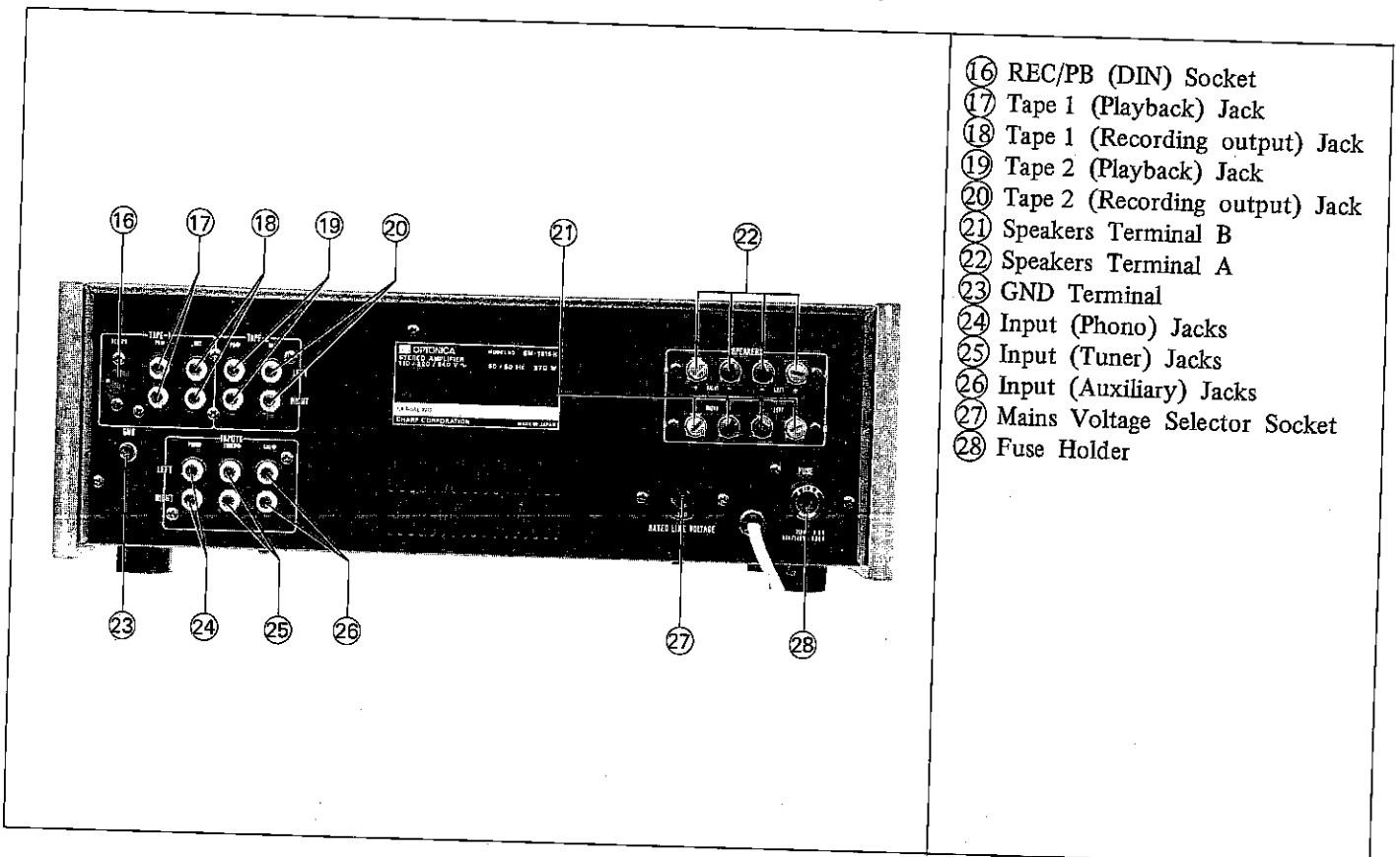
## LAYOUT OF FRONT PARTS



- ① Bass Control
- ② Treble Control
- ③ Output Meter (Left)
- ④ Output Meter (Right)
- ⑤ Volume Control
- ⑥ Function Selector
- ⑦ Power Switch
- ⑧ Headphones Jack
- ⑨ Speakers Switch
- ⑩ Balance Control
- ⑪ Low Cut Switch
- ⑫ Loudness Switch
- ⑬ Muting Switch
- ⑭ Tape-Dubbing Switch
- ⑮ Tape-Monitor Switch

Figure 1

## LAYOUT OF REAR PARTS



- ⑬ REC/PB (DIN) Socket
- ⑭ Tape 1 (Playback) Jack
- ⑮ Tape 1 (Recording output) Jack
- ⑯ Tape 2 (Playback) Jack
- ⑰ Tape 2 (Recording output) Jack
- ⑱ Speakers Terminal B
- ⑲ Speakers Terminal A
- ⑳ GND Terminal
- ㉑ Input (Phono) Jacks
- ㉒ Input (Tuner) Jacks
- ㉓ Input (Auxiliary) Jacks
- ㉔ Mains Voltage Selector Socket
- ㉕ Fuse Holder

Figure 2

## DISASSEMBLY (See Figure 3)

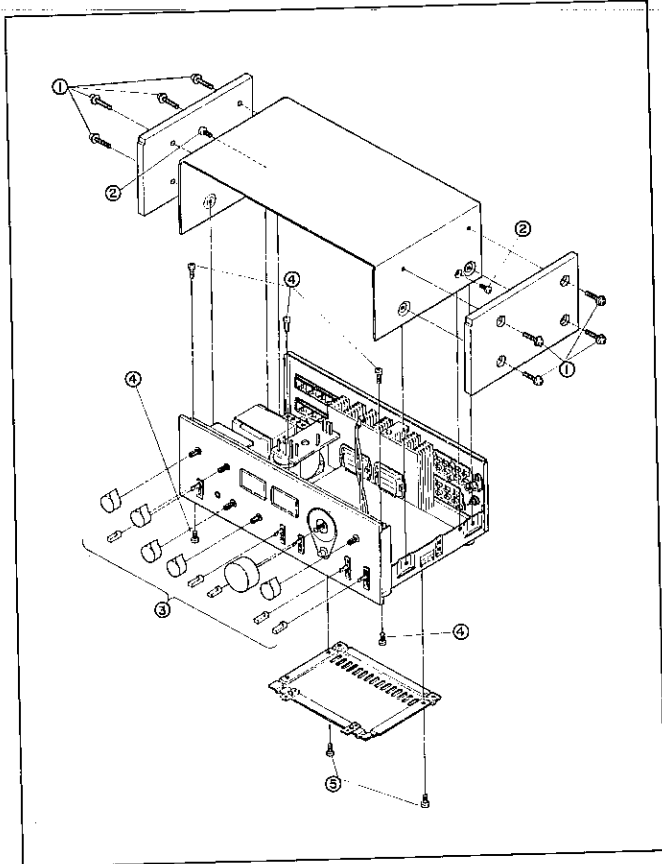


Figure 3

### HOW TO REMOVE THE CABINET:

Remove the 8 screws ① retaining the side plates (4 screws each for the both plates) and take out the side plates. Remove the 2 screws ② retaining the cabinet (1 screw each in right and left) and lift up the cabinet to remove it.

### HOW TO REMOVE THE FRONT PANEL:

Draw out the 11 knobs ③ from the front panel and remove the 5 screws ④ retaining the front panel. Then pull the front panel toward you to remove it.

### HOW TO REMOVE THE BOTTOM PLATE:

Turn over the set, remove the 2 screws ⑤ retaining the bottom plate and lift up the bottom plate to remove it.

## PREPARATION FOR USE

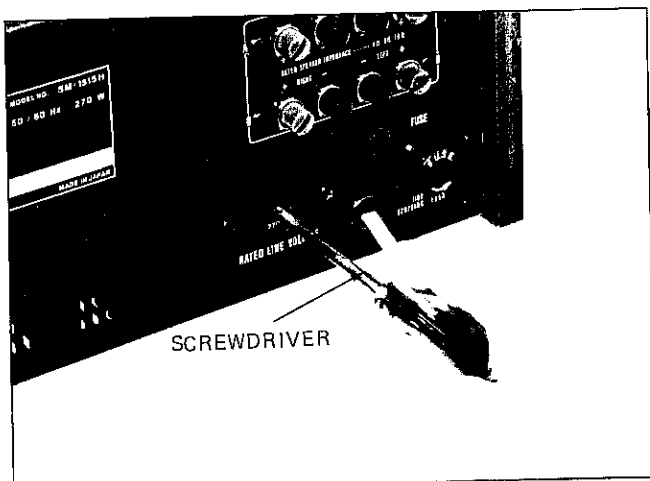


Figure 4

### VOLTAGE SELECTION (See Figure 4)

Check the preset voltage before connecting the mains plug to a mains outlet. If the setting is different from your local supply mains voltage, the selector must be reset as follows. Rotate the voltage selector by using a screwdriver so that your local voltage number can be seen.

# BLOCK DIAGRAM

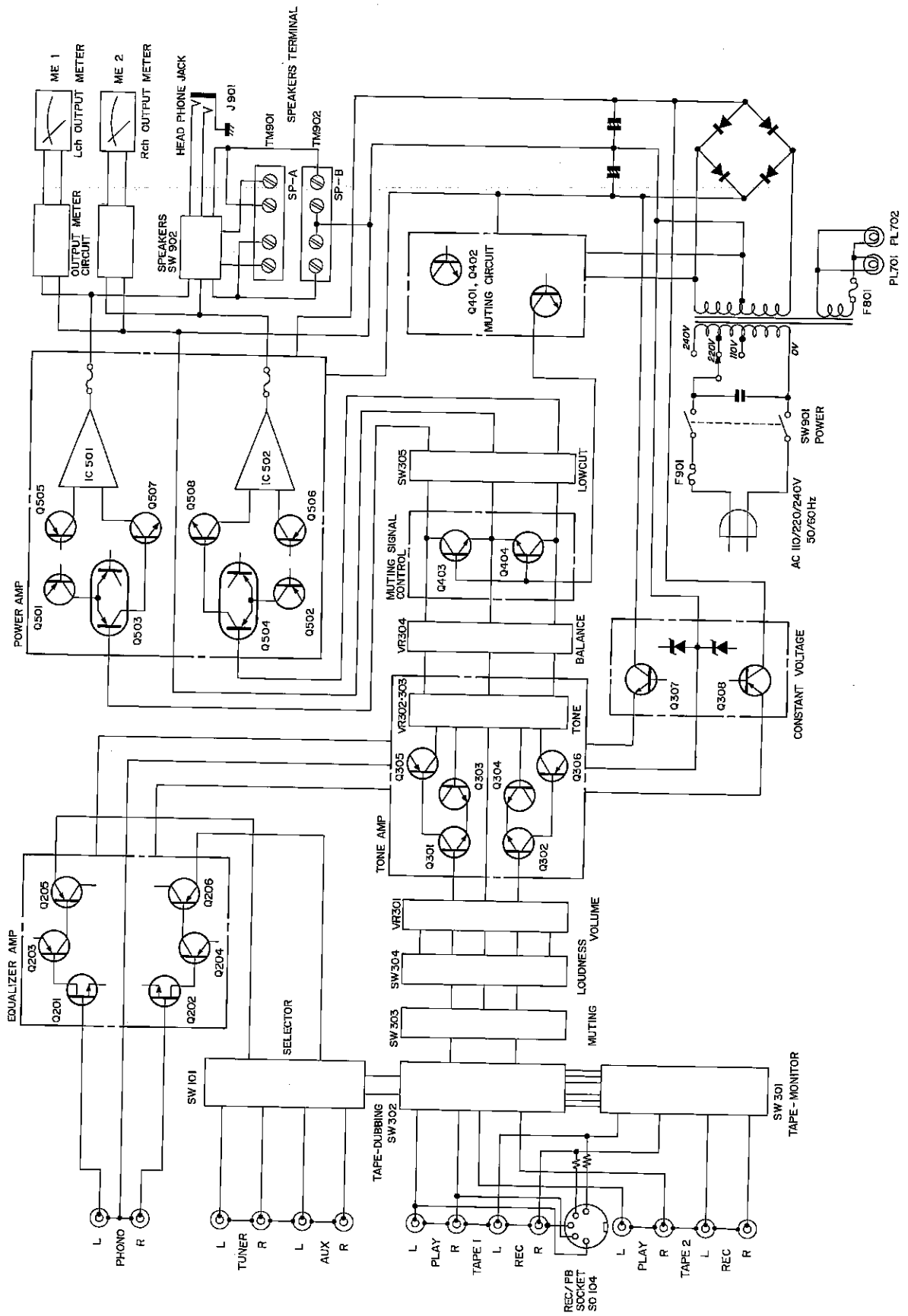


Figure 5

## CIRCUIT DIScription

Note: Hereunder given are the explanations on the behavior of various circuits; main amplifier circuit, meter circuit, electronic muting circuit, meter circuit, electronic muting circuit and equalizer circuit. In which, note that the following symbols will be used in the descriptions:  
 Q : Transistor      R : Resistor      C : Capacitor      IC : Integrated circuit      ME : Output meter  
 PTH : Positive characteristic thermistor

### ■ MAIN AMPLIFIER CIRCUIT (See Figure 6)

This main amplifier is of a differential 1-stage pure complementary circuit and besides it incorporates Darlington power pack (made of IC501 and IC502) in which the drive stage and power stage are integrated into one unit. The bias circuit is incorporated in the Darlington pack and it assures a more stabilized and readjustment-free function of the amplifier. Moreover, this circuit scarcely is affected by the power voltage variations since it employs a current regulator circuit for the common emitter power source of the differential amplification stage.

The pre-drive transistors Q507 and Q508 are a current regulator circuit, which assures a higher gain and a lower distortion. To the bases of these transistors Q505 and Q506 are connected C511, C512, R513 and R514 and thus a rise time of Q505 and Q506 is delayed so that there will be no shock noises at the speaker.

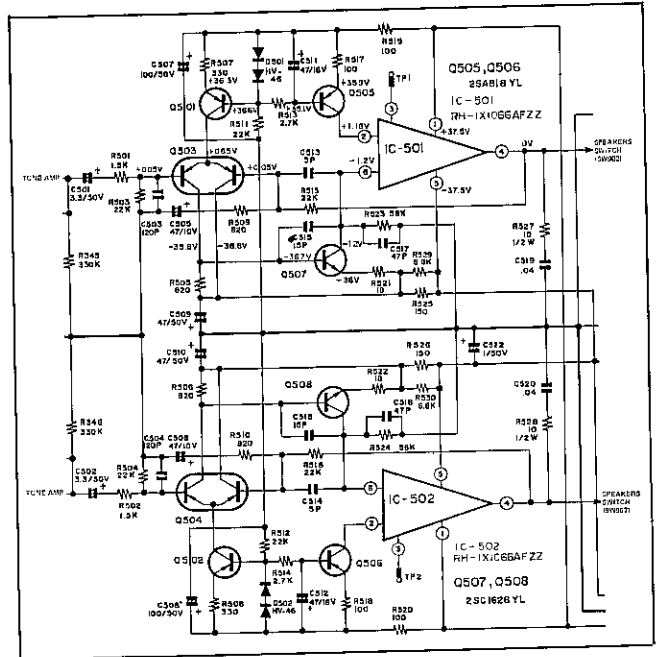


Figure 6

### ■ METER CIRCUIT (See Figure 7)

With this meter circuit, output signals (from the pin ④ of IC501 and pin ④ of IC502) of the main amplifier are converted into DC signals to undergo logarithmic amplification and thus it becomes possible to drive the output meters ME1 and ME2.

The AC output signals of the main amplifier are supplied to D603 and D604 where their negative components are removed. Then the signals undergo logarithmic amplification through D605 and D606, thus driving the output meters. D601 and D602 are to prevent D603 and D604 from being reverse-biased. C601 and C602 are a speed-up capacitor to increase response speed of the output meters.

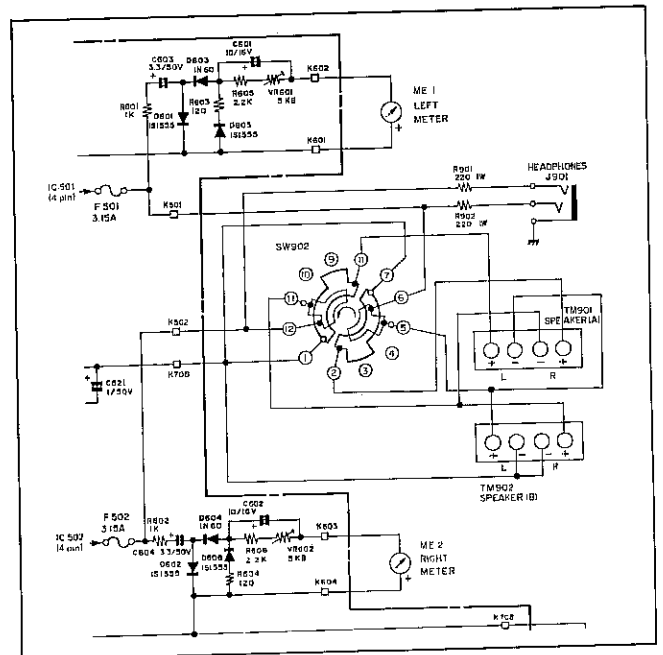


Figure 7

■ MUTING CIRCUIT (See Figure 8)

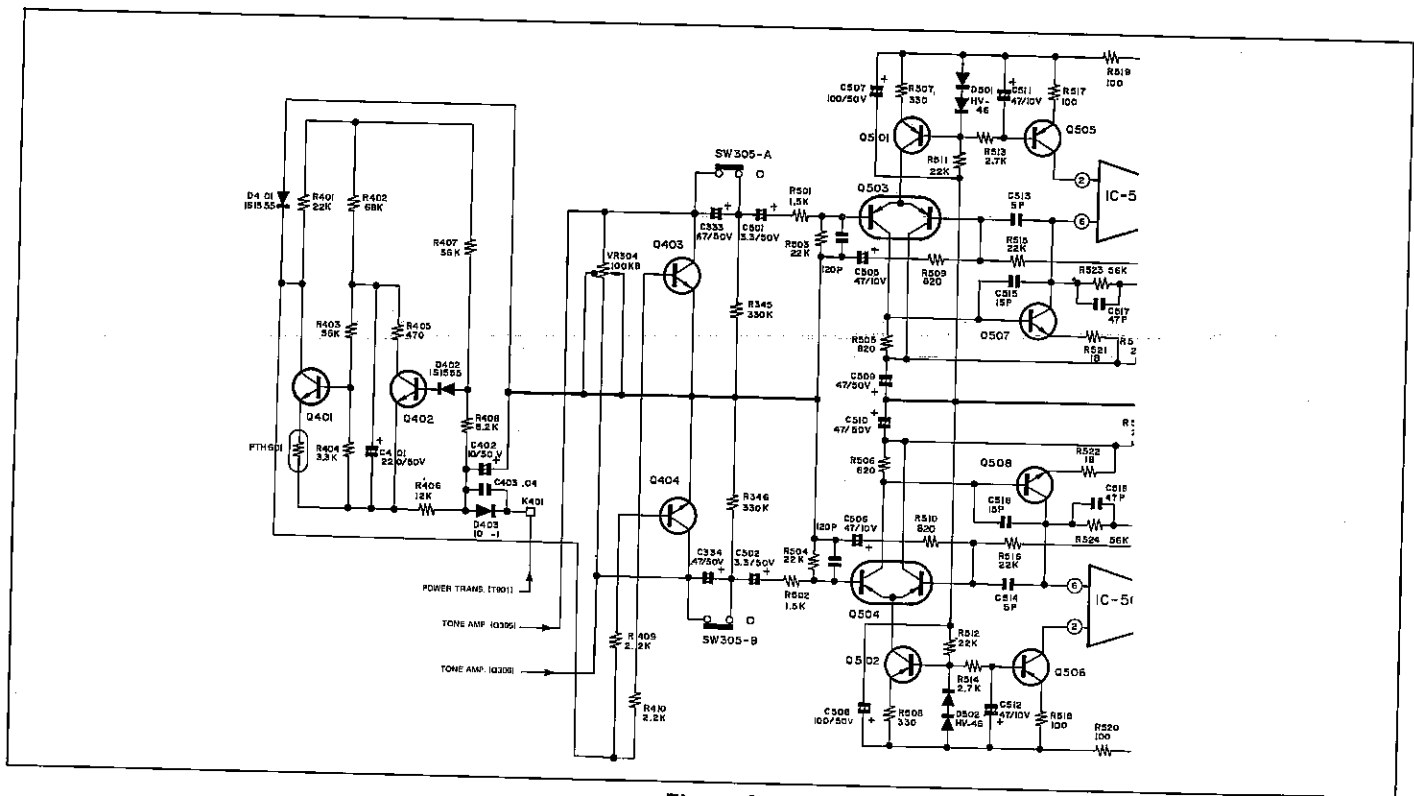


Figure 8

The electronic muting circuit is composed of transistors Q401 to Q404, diodes D401 to D403 and other resistors and capacitors and it works to prevent an occurrence of noises when the power switch SW901 is turned on or off, and to eliminate an abnormal thermal increase of the heat sink.

**When the power switch is turned "ON"**

The muting circuit works as follows; A current runs in the bases of Q403 and Q404 through R401 and thus inputs to the main amplifier are shorted so that the signals of the tone amplifier won't enter the main amplifier. At the same time, a current also runs in R402 and C401 and so the base potential of Q401 increases until the Q401 is eventually turned on, so that a collector current will be produced. As a result, a voltage drop of R401 becomes drastic so that there will be no current caused at the bases of Q403 and Q404. Thus it is allowed for the main amplifier to receive signals.

**When the power switch is turned "OFF"**

The muting circuit works as follows; The negative potential which has been charged in C402 becomes zeroed instantly and so the emitter potential of Q401 is increased to turn off the Q401. As a result, a current runs in the bases of Q403 and Q404 so that these transistors are turned on; this results in that no signal will enter the main amplifier. Q402 is to discharge the C401 which has been once charged up when the power switch was turned off.

**When temperature of the heat sink abnormally increases**

The muting circuit works as follows; If the heat sink of IC501 and IC502 are over-heated, the resistance of PTH601 is suddenly increased. As a result, the current of Q401 is reduced while its collector potential is increased so that the transistors Q403 and Q404 are turned on; this results in that no signals will enter the main amplifier so that an abnormal thermal increase of the heat sink can be eliminated.

■ EQUALIZER CIRCUIT (See Figure 9)

The equalizer circuit is powered by the two-power-supply (+19.7V, -19.7V) system.

Q201 and Q202 in the first stage are high-amplification and low-noise type FET and input signals to these transistors are directly coupled with the second stage.

Q203 and Q204 in the second stage are low-noise transistor, in which almost all of the gains for the equalizer circuit are assured. The third stage is composed of Q205 and Q206 and

it includes DC load resistor R213 and R214: the resistance of this resistor is limited to the minimum to assure signal inputs in a higher frequency range. C217 and C218 are boot strap capacitors which are to increase the gains of the second stage transistors Q203 and Q204 and to improve the linearity.

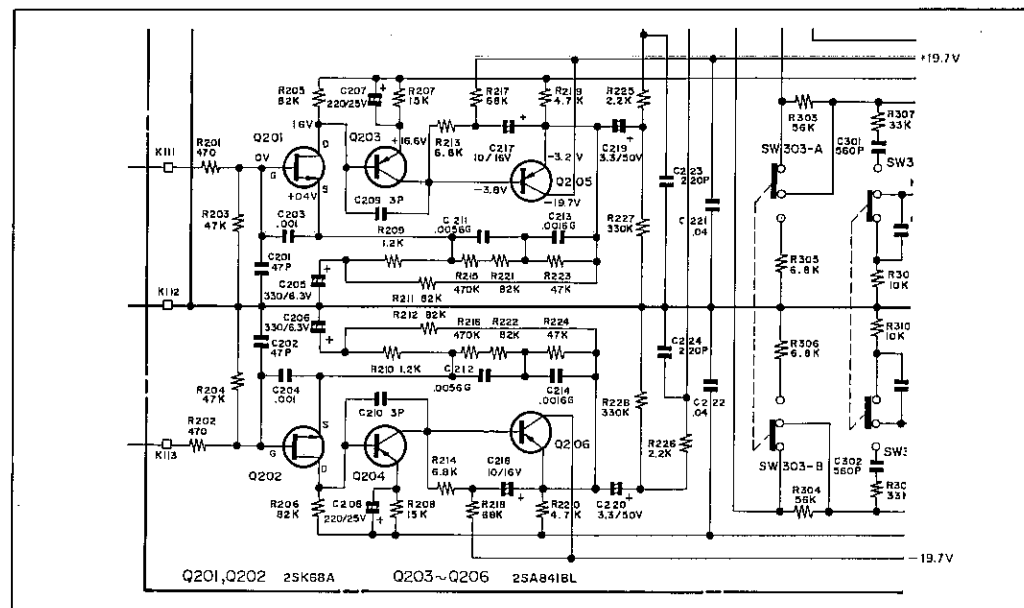


Figure 9

IC OUTPUT CIRCUIT (See Figure 10)

When replacing it, be sure to apply silicone grease on the surface of IC which is in contact with the heat sink, evenly and as sparingly as possible.

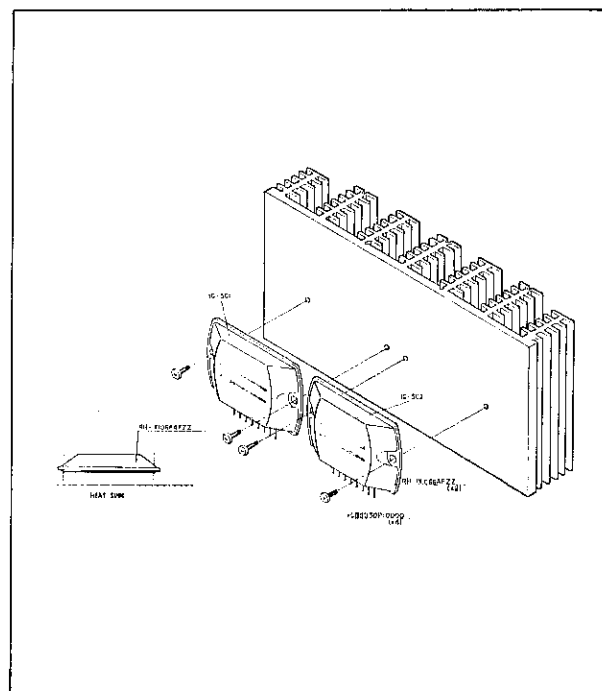


Figure 10

ADJUSTMENT OF MAIN AMP CIRCUIT (See Figure 11 and 12)

1. Check the power supply voltage.
2. Set the power switch SW901 to "ON" position.
3. Set the volume control to "0" position.
4. Check that the potential between the test point TP1 and K501 is 12mV to 60mV.
  - Check that the potential between the test point TP2 and K502 is 12mV to 60mV.
  - Check that the potential between K501 and earth is in the range of +50mV to -50mV
  - Check that the potential between K502 and earth is in the range of +50mV to -50mV.
  - Check that the potential between Q307 emitter and earth is +20V.
  - Check that the potential between Q308 emitter and earth is -20V.

- Check that the potential between K706 and earth is +39V.
- Check that the potential between K708 and earth is -39V.

5. By using a signal generator (1kHz, 300mV), apply signals to the terminal AUX located at the rear of the set and adjust the volume control and balance control so that the output signal of the speaker terminal (A or B) becomes 1W = 2.0V. (See Figure 11)
6. Adjust VR601 (and/or VR602) so that the left channel output meter (and/or the right channel output meter) will indicate 1W.

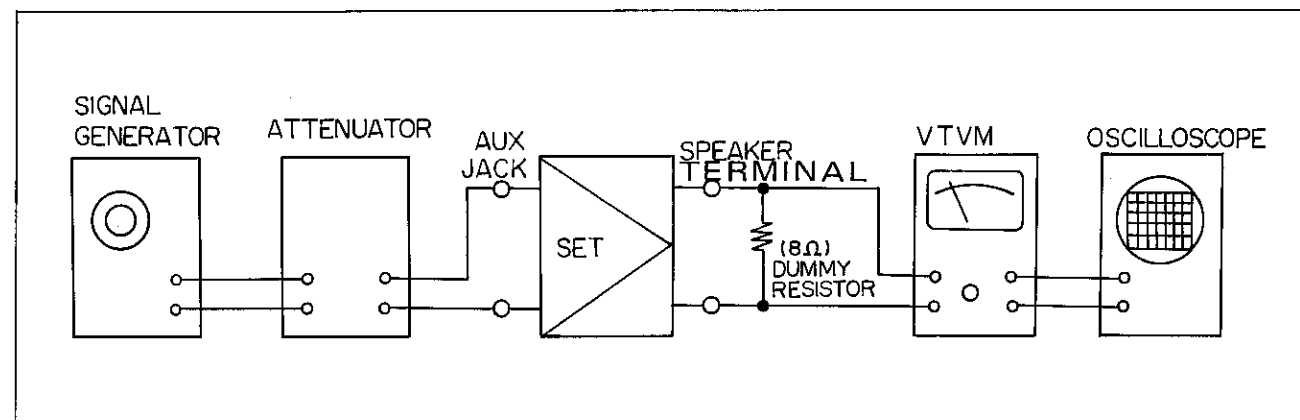
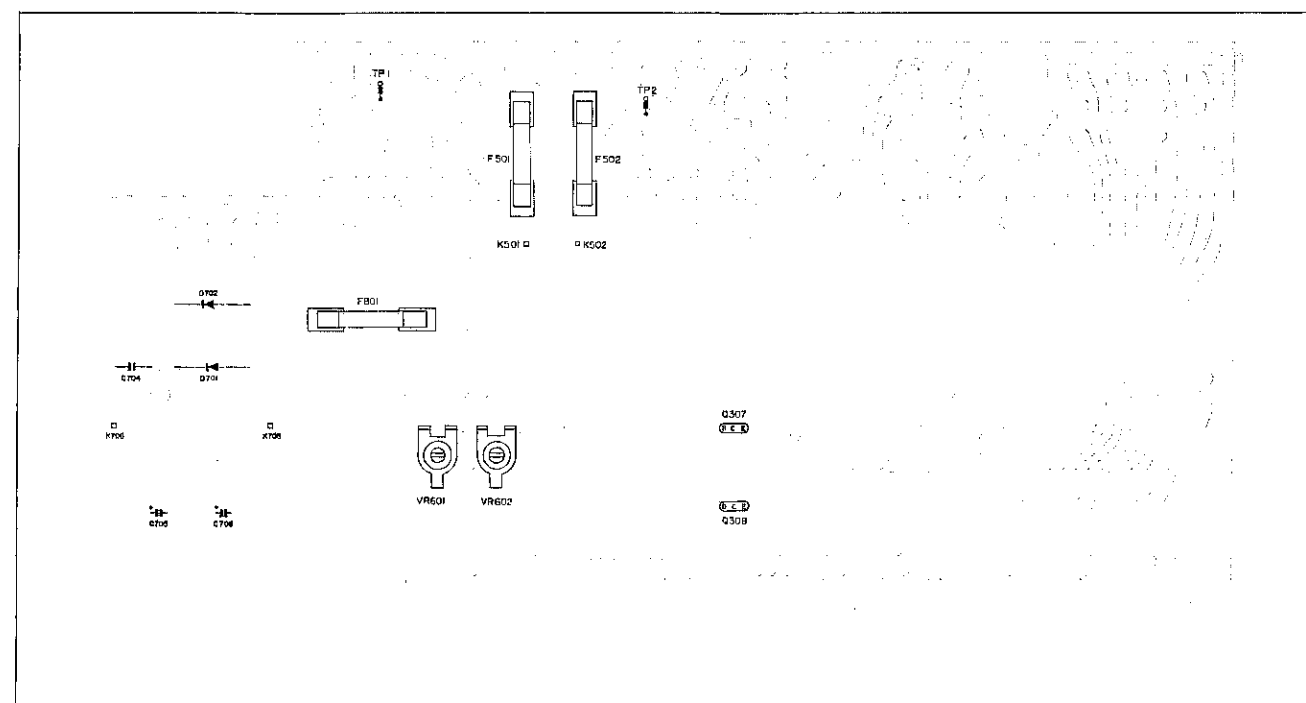
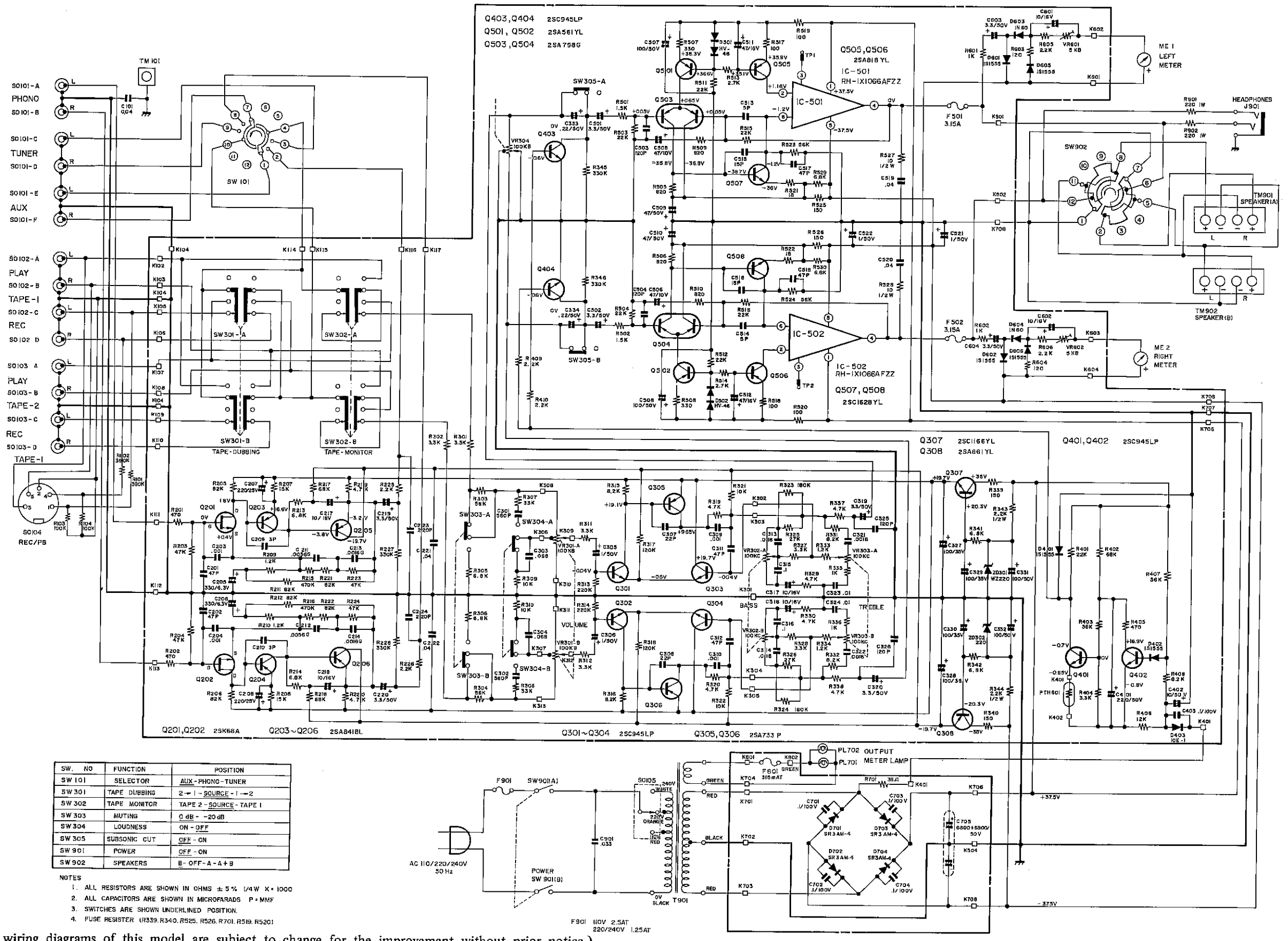


Figure 11









SW. NO	FUNCTION	POSITION
SW 101	SELECTOR	AUX - PHONO - TUNER
SW 301	TAPE DUBBING	2 - 1 - SOURCE - 1 - 2
SW 302	TAPE MONITOR	TAPE 2 - SOURCE - TAPE 1
SW 303	MUTING	0 dB - -20 dB
SW 304	LOUDNESS	ON - OFF
SW 305	SUBSONIC CUT	OFF - ON
SW 901	POWER	OFF - ON
SW 902	SPEAKERS	B - OFF - A - A + B

- NOTES
1. ALL RESISTORS ARE SHOWN IN OHMS ± 5% 1/4W X 1000
  2. ALL CAPACITORS ARE SHOWN IN MICROFARADS P-MMF
  3. SWITCHES ARE SHOWN UNDERLINED POSITION.
  4. FUSE RESISTOR (R339, R340, R525, R526, R701, R519, R520)

(Specifications or wiring diagrams of this model are subject to change for the improvement without prior notice.)

Figure 14 SCHEMATIC DIAGRAM

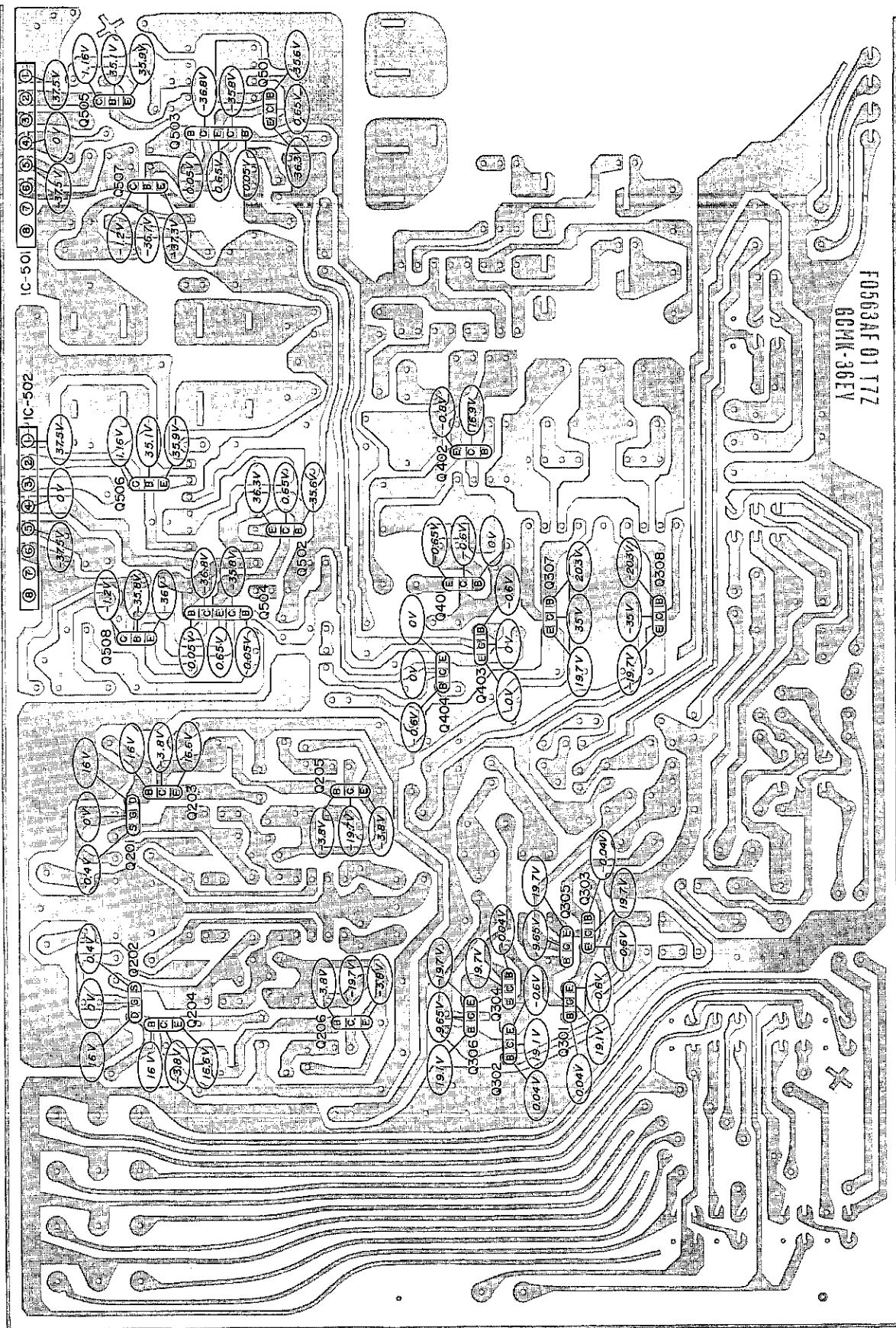


Figure 15

### TROUBLE SHOOTING CHART

PHENOMENON	CAUSE	COUNTERMEASURE
The meter lights do not light up even with the power switch set to 'on'.	Insertion of the power cord plug to a wall outlet is incomplete.	Reinsert the power cord plug into a wall outlet completely.
No sound comes out of the speaker.	The speakers switch is kept at 'off'.	Set the speakers switch to 'a' or 'b'.
	The volume control is kept closed.	Rotate the volume control to increase the sound volume.
	The speaker cord is shortcircuited.	Make sure the speaker cord is not shortcircuited.
	Setting position of the selector switch is improper.	Set the selector switch to a proper position.
	The setting position of tape monitor switch is improper.	Set the tape monitor switch to a proper position.
Sound comes out of only one of two loudspeakers.	The balance control is set one-sided (right or left).	Set the balance control so as to balance both channels.
	Connection of a loudspeaker is improper.	Connect the speaker cord to the speaker terminal completely.
	Connection of the cord plug into input jack (right or left) is imperfect.	Connect the plugs into both jacks completely.
Sound volume is small.	The muting switch is kept at '-20dB'.	Set the muting switch to '0dB'.
	The volume control is kept closed.	Rotate the volume control clockwise to increase the sound volume.
Hum noise is generated at 'phono' mode.	There is no connection between the earth terminal of this amplifier and of the turntable.	Connect the earth terminal of the unit to that of the turntable.
The reproduced sound (human voices or the like) does not come to the center between two loudspeakers.	The connection polarities plus (+) and minus (-) of the speaker cords of the amplifier are reverse.	Make appropriate the polarities of speaker cords.

# REPLACEMENT PARTS LIST

# PARTS LIST

### "HOW TO ORDER REPLACEMENT PARTS"

To have your order filled promptly and correctly, please furnish the following informations.

1. MODEL NUMBER
2. REF. NO.
3. PART NO.
4. DESCRIPTION

REF. NO.	PART NO.	DESCRIPTION	CODE	REF. NO.	PART NO.	DESCRIPTIONS	CODE
<b>INTEGRATED CIRCUITS</b>							
IC501, IC502	RH-IX1066AFZZ	Power	BA	ZD301, ZD302	VHEWZ220///-1	Constant Voltage (WZ220)	AD
<b>TRANSISTORS</b>							
Q201, Q202	VS2SK68A///1F	1st Equalizer Amp (2SK68A)	AF	VR301, (A, B)	RVR-B0145AFZZ	100K(B) ohm, Volume Control	AN
Q203, Q204	VS2SA841-B/-1	2nd Equalizer Amp (2SA841BL)	AE	VR302, (A, B)	RVR-C0055AFZZ	100K(C) ohm, Bass Control	AK
Q205, Q206	VS2SA841-B/-1	3rd Equalizer Amp (2SA841BL)	AE	VR303, (A, B)	RVR-C0055AFZZ	100K(C) ohm, Treble Control	AK
Q301, Q302	VS2SC945LP/-1	Differential Amp (2SC945LP)	AC	VR304, (A, B)	RVR-B0144AFZZ	100K(B) ohm, Balance Control	AF
Q303, Q304	VS2SC945LP/-1	Differential Amp (2SC945LP)	AC	VR601, VR602	RVR-M0126AFZZ	5K(B) ohm, Output Meter Adjustment	AC
Q305, Q306	VS2SA733-P/-1	Tone Amp (2SA733P)	AD	<b>TRANSFORMER</b>			
Q307	VS2SC1166-Y-3	Constant Voltage (Positive Voltage) (2SC1166YL)	AE	T901	RTRNP0472AFZZ	Power	
Q308	VS2SA661-Y/-3	Constant Voltage (Negative Voltage) (2SA661YL)	AE	<b>RESISTORS</b>			
Q401, Q402	VS2SC945LP/-1	Muting Control (2SC945LP)	AC	(Unless otherwise specified are 1/4W, ±5%, Carbon type)			
Q403, Q404	VS2SC945LP/-1	Muting Discharge (2SC945LP)	AC	R101, R102	VRD-ST2EE394J	390K ohm	
Q501, Q502	VS2SA561-Y/-1	Constant Current (2SA561YL)	AG	R103, R104	VRD-ST2EE104J	100K ohm	
Q503, Q504	VS2SA798-G/-1	Differential Amp (2SA798G)	AF	R201, R202	VRD-ST2EE471J	470 ohm	
Q505, Q506	VS2SA818-Y/-1	Pre Driver/Constant Current (2SA818YL)	AH	R203, R204	VRD-ST2EE473J	47K ohm	
Q507, Q508	VS2SC1628-Y-1	Pre Driver (2SC1628YL)	AH	R205, R206	VRD-ST2EE823J	82K ohm	
<b>DIODES</b>							
D401	VHD1S1555V/1G	Protection, Q403, Q404 (1S1555)		R207, R208	VRD-ST2EE153J	15K ohm	
D402	VHD1S1555V/1G	Protection, Q402 (1S1555)		R209, R210	VRD-ST2EE122J	1.2K ohm	
D403	VHD10E1///-F	Power Rectifier (10E-1)	AC	R211, R212	VRD-ST2EE823J	82K ohm	
D501, D502	VHVHV46-G///-1	Constant Current (HV-46)	AD	R213, R214	VRD-ST2EE682J	6.8K ohm	
D601, D602	VHD1S1555V/1G	Protection, D603, D604 (1S1555)		R215, R216	VRD-ST2EE474J	470K ohm	
D603, D604	VHD1N60///-1	Rectifier (1N60)	AB	R217, R218	VRD-ST2EE683J	68K ohm	
D605, D606	VHD1S1555V/1G	Logarithmic Compressor (1S1555)		R219, R220	VRD-ST2EE472J	4.7K ohm	
D701, D702, D703, D704	VHDSR3AM-4/-1	Power Rectifier	AF	R221, R222	VRD-ST2EE823J	82K ohm	
				R223, R224	VRD-ST2EE473J	47K ohm	
				R225, R226	VRD-ST2EE222J	2.2K ohm	

REF. NO.	PART NO.	DESCRIPTION	CODE	REF. NO.	PART NO.	DESCRIPTION	CODE
R227, R228	VRD-ST2EE334J	330K ohm		R507, R508	VRD-ST2EE331J	330 ohm	
R301, R302	VRD-ST2EE332J	3.3K ohm		R509, R510	VRD-ST2EE821J	820 ohm	
R303, R304	VRD-ST2EE563J	56K ohm		R511, R512	VRD-ST2EE223J	22K ohm	
R305, R306	VRD-ST2EE682J	6.8K ohm		R513, R514	VRD-ST2EE272J	2.7K ohm	
R307, R308	VRD-ST2EE333J	33K ohm		R515, R516	VRD-ST2EE223J	22K ohm	
R309, R310	VRD-ST2EE103J	10K ohm		R517, R518	VRD-ST2EE101J	100 ohm	
R311, R312	VRD-ST2EE332J	3.3K ohm		R519, R520	RR-XZ1006AFZZ	100 ohm, 1/4W, Fuseble	AB
R313, R314	VRD-ST2EE224J	220K ohm		R521, R522	VRD-ST2EE180J	18 ohm	
R315, R316	VRD-ST2EE822J	8.2K ohm		R523, R524	VRD-ST2EE563J	56K ohm	
R317, R318	VRD-ST2EE124J	120K ohm		R525, R526	RR-XZ1015AFZZ	150 ohm, 1/4W, Fuseble	
R319, R320	VRD-ST2EE472J	4.7K ohm		R527, R528	VRG-ST2HA100J	10 ohm, 1/2W, ±5%, Fuseble	
R321, R322	VRD-ST2EE103J	10K ohm		R529, R530	VRD-ST2EE682J	6.8K ohm	
R323, R324	VRD-ST2EE184J	180K ohm		R601, R602	VRD-ST2EE182J	1K ohm	AA
R325, R326	VRD-ST2EE273J	27K ohm		R603, R604	VRD-ST2EE121J	120 ohm	
R327, R328	VRD-ST2EE332J	3.3K ohm		R605, R606	VRD-ST2EE222J	2.2K ohm	
R329, R330	VRD-ST2EE472J	4.7K ohm		R701, R901, R902	RR-XZ0001AFZZ	39 ohm, 1/4W, Fuseble 220 ohm, 1W, ±10%, Oxide Film	AB
R331, R332	VRD-ST2EE822J	8.2K ohm		<b>CAPACITORS</b>			
R333, R334	VRD-ST2EE122J	1.2K ohm		C101	VCKZPU1HF403Z	.04MFD, 50V, +80 -20%, Ceramic	
R335, R336	VRD-ST2EE102J	1K ohm		C201, C202	VCCSPU1HL470K	47PF, 50V, ±10%, Ceramic	
R337, R338	VRD-ST2EE472J	4.7K ohm		C203, C204	VCKZPU1HF102Z	.001MFD, 50V, +80 -20%, Ceramic	
R339, R340	RR-XZ1015AFZZ	150 ohm, 1/4W, Fuseble		C205, C206	VCEAAU0JW337Y	330MFD, 6.3V, +50 -10%, Electrolytic	AC
R341, R342	VRD-ST2EE682J	6.8K ohm		C207, C208	VCEAAU1EW227Y	220MFD, 25V, +50 -10%, Electrolytic	AC
R343, R344	VRD-ST2HD222J	2.2K ohm, 1/2W, ±5%, Carbon		C209, C210	VCCSPU1HL3R0C	3PF, 50V, ±.25PF, Ceramic	
R345, R346	VRD-ST2EE334J	330K ohm		C211, C212	VCQYKU2AM562G	.0056MFD, 100V, +50 -10%, Mylar	
R401, R402	VRD-ST2EE223J	22K ohm		C213, C214	VCQYKU2AM162G	.0016MFD, 100V, +50 -10%, Mylar	
R403, R404	VRD-ST2EE563J	56K ohm		C217, C218	VCEAAU1CW106Y	10MFD, 16V, +50 -10%, Electrolytic	AB
R405, R406	VRD-ST2EE332J	3.3K ohm		C219, C220	VCEAAU1HW335A	3.3MFD, 50V, +75 -10%, Electrolytic	AB
R407, R408	VRD-ST2EE563J	56K ohm		C221, C222	VCKZPU1HF403Z	.04MFD, 50V, +80 -20%, Ceramic	
R409, R410	VRD-ST2EE822K	8.2K ohm		C223, C224	VCCSPU1HL221K	220PF, 50V, ±10%, Ceramic	
R501, R502	VRD-ST2EE222J	2.2K ohm		C301, C302	VCCSPU1HL561K	560PF, 50V, ±10%, Ceramic	
R503, R504	VRD-ST2EE223J	22K ohm		C303, C304	VCQYKU1HM683K	.068MFD, 50V, ±10%, Mylar	AC
R505, R506	VRD-ST2EE821J	820 ohm		C305, C306	VCEAAU1HW105A	1MFD, 50V, +75 -10%, Electrolytic	AB

# PARTS LIST

REF. NO.	PART NO.	DESCRIPTION	CODE	REF. NO.	PART NO.	DESCRIPTION	CODE
C307, C308	VCCSPU1HL220K	22PF, 50V, ±10%, Ceramic		C706	VCEAAU1HW477Y	470MFD, 50V, +50 -10%, Electrolytic	
C309, C310	VCKZPU1HF102Z	.001MFD, 50V, +80 -20%, Ceramic		C901	RC-PZ062CAFZZ	.033MFD, 450V(AC)	
C311, C312	VCCSPU1HL470K	47PF, 50V, ±10%, Ceramic		<b>MISCELLANEOUS</b>			
C313, C314	VCQYKU1HM183J	.018MFD, 50V, ±5%, Mylar	AC		GCOVA1075AFSC	Cover, Tape-Dubbing/Tape-Monitor	
C315, C316	VCQYKU1HM104J	.1MFD, 50V, ±5%, Mylar	AD		GCOVA1076AFSC	Cover, Power/Low Cut/Loudness	
C317, C318	VCEAAU1CW106Y	10MFD, 16V, +50 -10%, Electrolytic	AB		HPNLC3274AFSA	Front Panel	AB
C319, C320	VCEAAU1HW335A	3.3MFD, 50V, +75 -10%, Electrolytic	AB		PSPAS0008SGSA	Spacer, Muting Knob	AB
C321, C322	VCQYKU1HM182J	.0018MFD, 50V, ±5%, Mylar	AC		QACCB0050AF0V	AC Supply Cord (SUK)	AM
C323, C324	VCQYKU1HM103J	.01MFD, 50V, ±5%, Mylar	AB		QACCL4001SE08	AC Supply Cord (SCA)	AS
C325, C326	VCCSPU1HL121K	120PF, 50V, ±10%, Ceramic			QACCN0001AGZZ	AC Supply Cord (SEMKO)	AQ
C327, C328	VCEAAU1VW107Y	100MFD, 35V, +50 -10%, Electrolytic	AD		QACCS9001SE00	AC Supply Cord (SEV)	AG
C329, C330	VCEAAU1VW107Y	100MFD, 35V, +50 -10%, Electrolytic	AD	SO105	QPLGA0205AGZZ	Plug, AC Supply Cord (SEV)	AK
C331, C332	VCEAAU1HW107Y	100MFD, 50V, +50 -10%, Electrolytic	AD		QACCV0001AGZZ	AC Supply Cord (KEMA)	AP
C333, C334	VCEALU1HW224M	.22MFD 50V, ±20%, Electrolytic	AB		QACCZ0002AG08	AC Supply Cord	AF
C401	VCEAAU1HW227Y	220MFD, 50V, +50 -10%, Electrolytic	AD		QPLGA0201AGZZ	Plug, AC Supply Cord	AE
C402	VCEAAU1HW106Y	10MFD, 50V, +50 -10%, Electrolytic	AC	SO104	QACCZ0002TA0F	AC Supply Cord (Audio Photo Club)	AF
C403	VCQYKU2AM104M	.1MFD, 100V, ±20%, Mylar	AD	SO105	QCNCW078CAFZZ	Socket, Main Voltage Selector	AC
C501, C502	VCEAAU1HW335A	3.3MFD, 50V, +75 -10%, Electrolytic	AB	SO102	QTIPZ0052AFZZ	Tip, Main Voltage Selector	AA
C503, C504	VCCSPU1HL121K	120PF, 50V, ±10%, Ceramic		SO101	LANGQ0506AFSA	Bracket, Terminal	
C505, C506	VCEAAU1AW476Y	47MFD, 10V, +50 -10%, Electrolytic	AB	SO101	LANGQ0510AFZZ	Bracket, Main Voltage Selector	
C507, C508	VCEAAU1HW107Y	100MFD, 50V, +50 -10%, Electrolytic	AD	SO101	QFSHP1001AGZZ	Fuse Holder (Terminal Bracket)	AH
C509, C510	VCEAAU1HW476Y	47MFD, 50V, +50 -10%, Electrolytic	AC	SW901	QLUGL0402AGZZ	Lug Terminal, 4 Pin	AD
C511, C512	VCEAAU1CW476Y	47MFD, 16V, +50 -10%, Electrolytic	AC	TM901, TM902	QSODC2553AFZZ	Socket, REC/PB (DIN)	AD
C513, C514	VCCSPU1HL5R0C	5PF, 50V, ±.25PF, Ceramic		SO102	QSOCE0410AGZZ	Switch, Mains Voltage Selector	AH
C515, C516	VCCSPU1HL150K	15PF, 50V, ±10%, Ceramic		SO101	QSOCJ2458AFZZ	Socket, Tape 1 (REC/PB)	AE
C517, C518	VCCSPU1HL470K	47PF, 50V, ±10%, Ceramic		SO101	QSOCJ2660AFZZ	Socket, Inputs (PHONO/TUNER/AUX)	AG
C519, C520	VCKZPU1HF403Z	.04MFD, 50V, +80 -20%, Ceramic		SW304, SW305	QSW-B9070AFZZ	Switch, Power	
C521, C522	VCEAAU1HW105A	1MFD, 50V, +75 -10%, Electrolytic	AB	SW305	QTANN0150AFZZ	GND Terminal	AD
C601, C602	VCEAAU1CW106Y	10MFD, 16V, +50 -10%, Electrolytic	AC	SW301, SW302	QFSDH1001AGZZ	Fuse Holder	AB
C603, C604	VCEAAU1HW335A	3.3MFD, 50V, +75 -10%, Electrolytic	AB	SW302	PFLT-0318AF00	Felt, Chassis	
C701, C702, C703, C704	VCQYKU2AM104M	.1MFD, 100V, ±20%, Mylar	AD	SW304, SW305	QSW-B0051AFZZ	Switch, Low Cut/Loudness	AK
C705	RC-EZ1005AFZZ	6800MFD x 2, 50V, Electrolytic	BA	SW301, SW302	QSW-B0054AFZZ	Switch, Tape-Dubbing/Tape-Monitor	AL
				SO103	LX-WZ0019AFFW	Lug, GND Terminal	AA
				SW303	QSOCJ2458AFZZ	Socket, Tape 2 (REC/PB)	AE
					QSW-P0139AFZZ	Switch, Muting	AG
					GLEGP0050AF00	Leg	AC
					LBSHZ0001AF00	Bushing, Output Meter Lamp	AA
					LCHSM0260AFZZ	Chassis	AA
					LHLDW1060AFZZ	Wire Holder	AA
					PFLT-0318AF00	Felt, Cabinet Top Settle	
					LX-NZ3030SEFN	Nut, Headphone Jack	AA
					PCUSS0005AG00	Cushion, Cabinet Top	AA
					PCUSG0069AF00	Cushion, Set Protection	AB
					PCUSS0076AFZZ	Cushion, Output Meter	AA
					PREFL0058AFZZ	Panel, Output Meter	
				J901	QJAKJ0001SGZZ	Jack, Headphones	AF
				SW101	QSW-R0106AFZZ	Switch, Selector	AK
				SW902	QSW-R0142AFZZ	Switch, Speakers	
				PL701, PL702	RLMPM0062AFZZ	Output Meter Lamp	AE
				ME1, ME2	RMTRL0136AFSA	Output Meter	

# PARTS LIST

REF. NO.	PART NO.	DESCRIPTION	CODE	REF. NO.	PART NO.	DESCRIPTION	CODE
	PRDAR0141AFFW	Heat Sink			JKNBM0136AFSE	Knob, Muting	AC
	LANGF0392AFZZ	Bracket, Heat Sink Settle	AB		JKNBN0316AFSA	Knob, Volume	AK
	LBSHC0002AGZZ	Bushing, AC Cord (SCA, SUK)	AB		JKNBN0330AFSA	Knob, Bass/Treble/Speakers/Balance/Selector	AH
	LBSHC0004AGZZ	Bushing, AC Cord (SEMKO, KEMA)	AC		JKNBP0070AFSA	Knob, Power/Low Cut/Loudness/Tape-Dubbing/Tape-Monitor	AH
	LBSHC0007AFZZ	Bushing, AC Cord (SEV, Audio photo club)	AB		PSHEF0110AFZZ	Sheet, Light Cut off	AA
	LHLDW1052AFZZ	Wire Holder	AA		QPLGS0102AGZZ	Short Type Plug	AD
F901	QFS-C122CAGNI	Fuse, 1.25AT	AE		LX-LZ0051AF00	Rivet, Speakers Terminal Settle	
F801	QFS-C321CAGNI	Fuse, 315mAT	AE		LX-WZ5065AGFE	Washer, Fuse Holder	AB
F501, F502	QFS-C322CAGNI	Fuse, 3.15AT	AE		QLUGP0104AGZZ	Terminal Strip, Wire	AA
	QFS-C252CAGNI	Fuse, 2.5AT	AE		QLUGP0111CEFW	Terminal Strip, Test Point	AA
	GCAB-3033AFSA	Cabinet, Top			SPAKA0457AFZZ	Packing Add.	
	GFTAU3064AFZZ	Cabinet, Bottom	AD		SPAKC0981AFZZ	Packing Case	
	HDECW0054AFSA	Decoration Plate (Left)			SSAKA0007SEZZ	Polyethylene Bag	AA
	HDECW0055AFSA	Decoration Plate (Right)			SSAKH0015SEZZ	Polyethylene Bag	AB
	QPWBF0563AFZZ	Printed Wiring Board			PCOVZ8050AFZZ	Cover, Output Meter Lamp	
	RH-QX1002AFZZ	Positive Characteristic Thermistor	AG				

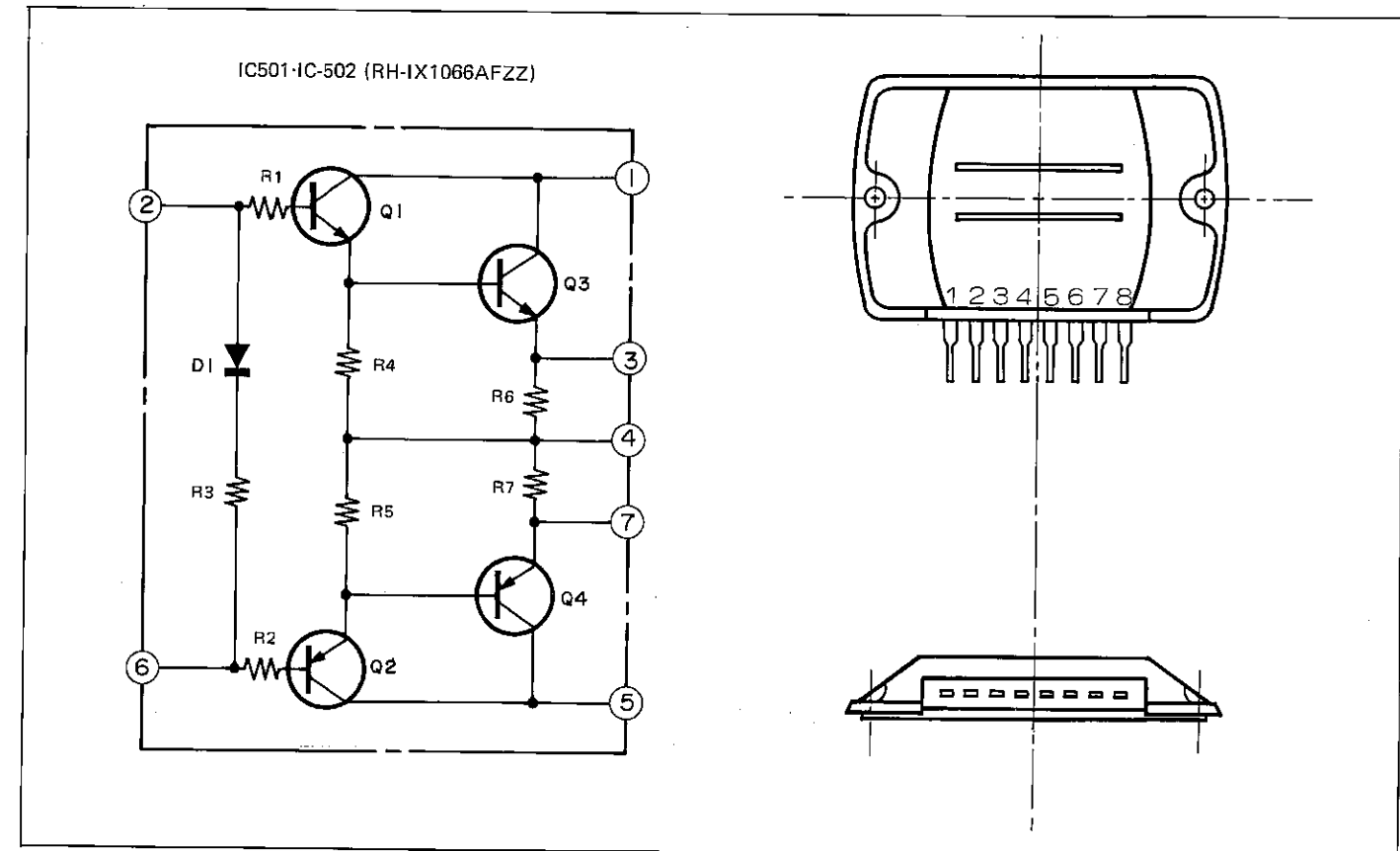


Figure 16 EQUIVALENT OF INTEGRATED CIRCUIT